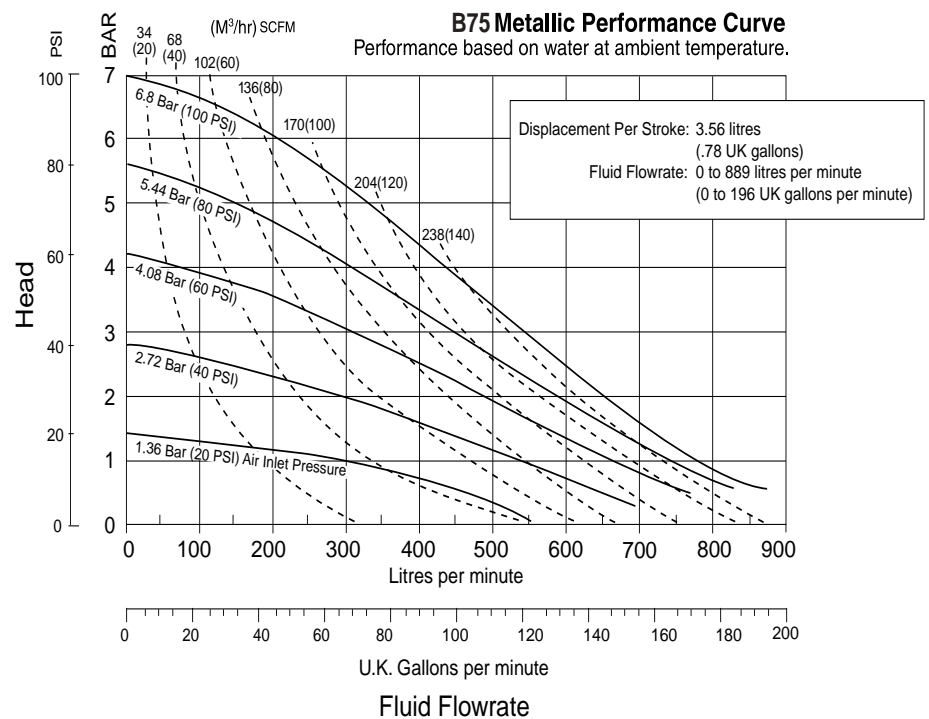
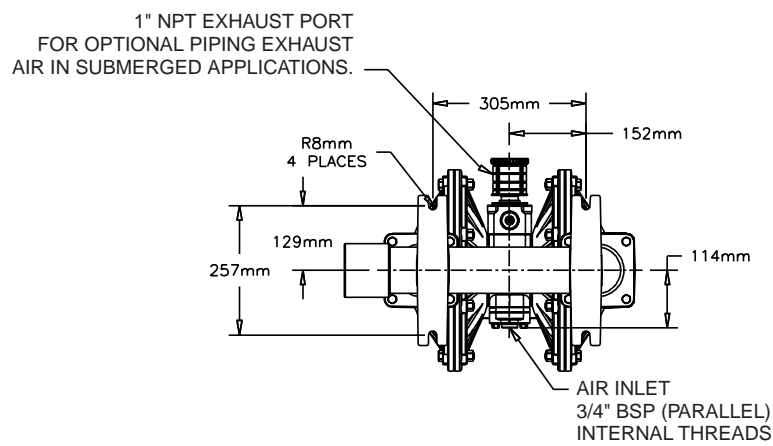
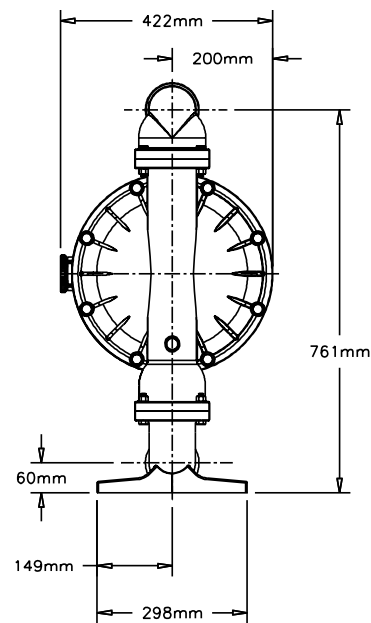
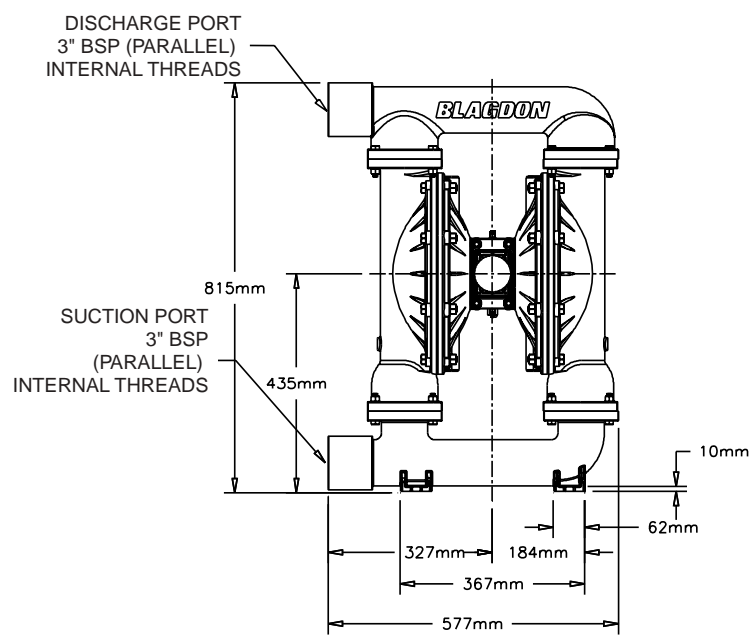
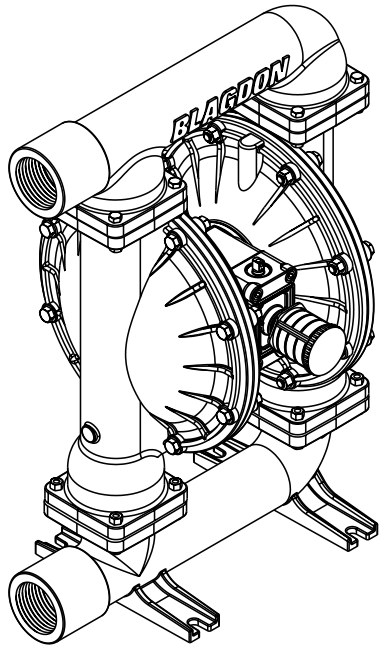


# DATA SHEET, SERVICE & OPERATING MANUAL

## B75

### Air Operated Double Diaphragm Pump Aluminium, Cast Iron & Stainless Steel Series



#### IMPORTANT

This pump should be used in accordance with the requirements of the Health and Safety at Work Act 1974.  
All business conducted subject to Blagdon Pump. Terms and Conditions of Sale available on request.

#### **BLAGDON PUMP**

A Unit of IDEX Corporation

[www.blagdonpump.com](http://www.blagdonpump.com)

Lambert Road, Armstrong, Washington,  
Tyne & Wear NE37 1QP ENGLAND  
Tel: (0191) 4177475 Fax: (0191) 4175435  
e-mail: [sales@blagdonpump.com](mailto:sales@blagdonpump.com)

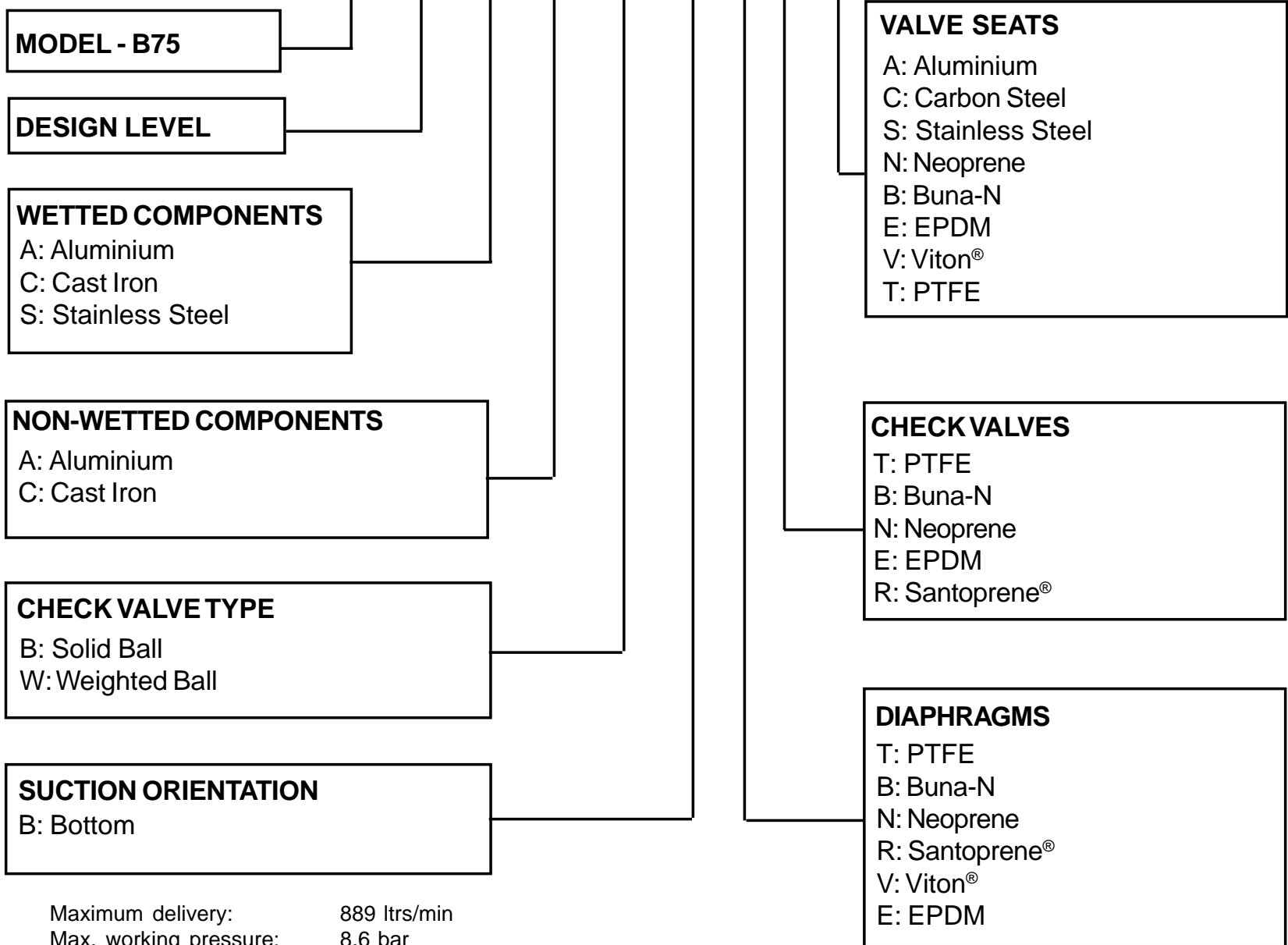
#### DISTRIBUTOR

<b>INTAKE/DISCHARGE PIPE SIZE</b> 3" NPT (internal) 3" BSP Parallel (internal)	<b>CAPACITY</b> 0 to 196 UK gallons per minute (0 to 889 litres per minute)	<b>AIR VALVE</b> No-lube, no-stall design	<b>SOLIDS-HANDLING</b> Up to .25 in. (6mm)	<b>HEADS UP TO</b> 125 psi or 289 ft. of water (8.6 Kg/cm <sup>2</sup> or 86 meters)	<b>DISPLACEMENT/STROKE</b> .78 UK Gallons / 3.56 litres
--------------------------------------------------------------------------------------	-----------------------------------------------------------------------------------	-------------------------------------------------	-----------------------------------------------	--------------------------------------------------------------------------------------------	------------------------------------------------------------

**CAUTION! Operating temperature limitations are as follows:**

<b>Materials</b>	<b>Operating Temperatures</b>		
	<b>Maximum*</b>	<b>Minimum*</b>	<b>Optimum**</b>
<b>Buna</b> General purpose, oil-resistant. Shows good solvent, oil, water and hydraulic fluid resistance. Should not be used with highly polar solvents like acetone and MEK, ozone, chlorinated hydrocarbons and nitro hydrocarbons.	190°F 88°C	-10°F -23°C	50° to 140°F 10° to 60°C
<b>EPDM</b> Shows very good water and chemical resistance. Has poor resistance to oil and solvents, but is fair in ketones and alcohols.	212°F 100°C	-10°F -23°C	50° to 212°F 10° to 100°C
<b>Neoprene</b> All purpose. Resistant to vegetable oil. Generally not affected by moderate chemicals, fats, greases and many oils and solvents. Generally attacked by strong oxidizing acids, ketones, esters, nitro hydrocarbons and chlorinated aromatic hydrocarbons.	170°F 77°C	-10°F -23°C	50° to 130°F 10° to 54°C
<b>Santoprene®</b> Injection molded thermoplastic elastomer with no fabric layer. Long mechanical flex life. Excellent abrasion resistance.	212°F 100°C	-10°F -23°C	50° to 212°F 10° to 100°C
<b>Virgin PTFE</b> Chemically inert, virtually impervious. Very few chemicals are known to react chemically with PTFE: molten alkali metals, turbulent liquid or gaseous fluorine and a few fluoro-chemicals such as chlorine trifluoride or oxygen difluoride which readily liberate free fluorine at elevated temperatures.	212°F 100°C	-35°F -37°C	50° to 212°F 10° to 100°C
<b>Viton®</b> Shows good resistance to a wide range of oils and solvents; especially all aliphatic, aromatic and halogenated hydrocarbons, acids, animal and vegetable oils. Hot water or hot aqueous solutions (over 70°F) will attack Viton®.	212°F 100°C	+32°F 0°C	75° to 212°F 24° to 100°C
<b>Polypropylene</b>	150°F 65°C	-40°F -40°C	

**TYPICAL CODE =** B75. 01. A A. B B. B B B



- Maximum delivery: 889 ltrs/min
- Max. working pressure: 8.6 bar
- Max. solid particle size: 6 mm
- Air inlet: 3/4" BSP (Parallel, Internal)
- Temperature limits: Determined by Elastomers
- Fluid inlet/outlet: 3" BSP (Parallel, Internal)
- Installation: Surface mounted
- Accessories included: Exhaust air silencer
- Shipping weights with Aluminum mid sections: A: 52 kg, C: 98 kg, S: 87 kg
- Shipping Dimensions: 710 x 450 x 890 mm